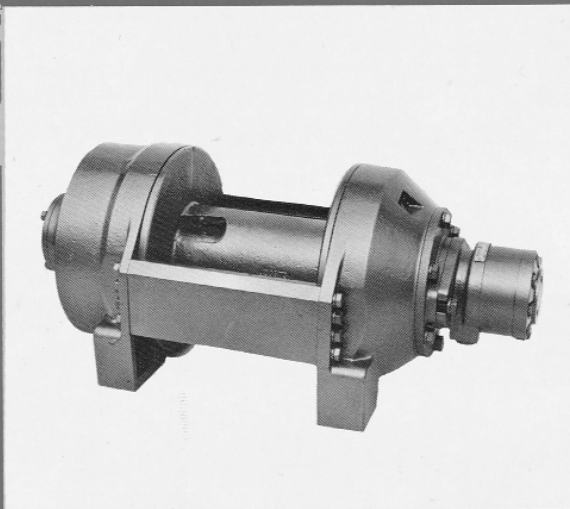
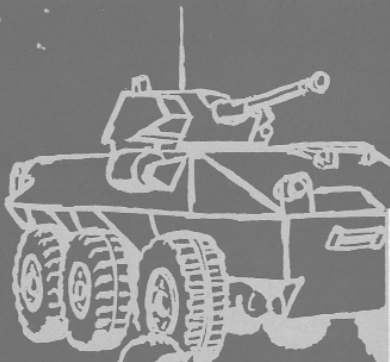


# R5

PLANETARY, RECOVERY WINCH



POWER OUT

**PLUS FREE SPOOLING**

POWER IN

POWER UP

POWER DOWN



**MASTER** 

**THE LOGICAL ALTERNATIVE**

# MODEL R5 PLANETARY, RECOVERY WINCH

## DESCRIPTION

The **PULLMASTER** Model R5 is a high performance, high efficiency planetary recovery winch, with power in both directions and a "Free Spool" feature, which can be manually or hydraulically actuated.

Although the **PULLMASTER** Model R5 is a recovery winch, primarily used in mobile pulling operations, it can also be applied to raise and lower loads with complete control. This is made possible by the automatic multi-disc brake which is spring applied - pressure released and has dynamic and static function. A counter-balance or brake valve is not required for dynamic braking when the unit is used to lower a load.

The reduction ratio between input of the hydraulic motor and the output performance of the cable drum is 9.25:1 and is established by a planetary reduction stage.

When the **PULLMASTER** Model R5 is used to lower a load, the friction created in the disc brake assembly results in temperature. This temperature is dissipated by the intravert system which drains a circulation flow internally without a need for a vent line.

Free Spooling can be supplied either with a manually actuated Free Spool clutch or with a remote controlled hydraulic clutch actuation. After the Free Spool clutch has been disengaged, the wire rope can be pulled off the cable drum by hand. When the "Free Spool" clutch is re-engaged the unit is powered in both directions of rotation.

**IMPORTANT:** The "Free Spool" clutch can only be disengaged or re-engaged when there is no load on the wire rope and when the cable drum is stationary.

## PERFORMANCE

- Based on a hydraulic volume of 15 (U.S.) gpm (57 l/min) at 2350 psi (162 bar) hydraulic pressure.
- Drum rotation at maximum hydraulic flow = 28 rpm
- Drum torque at maximum hydraulic pressure = 30,305 lb. in. (3424 Nm).

MODEL NUMBER	BARE DRUM		MEAN DRUM		FULL DRUM	
	LINE PULL	LINE SPEED	LINE PULL	LINE SPEED	LINE PULL	LINE SPEED
<b>R5-12-70-1M</b>	11020 lb	37 fpm	7480 lb	54 fpm	5660 lb	72 fpm
<b>R5-12-70-1F</b>	49.0 kN	11 m/min	33.2 kN	17 m/min	25.1 kN	22 m/min

\* FREE SPOOLING IS IDENTIFIED BY "M" BEHIND THE LAST DIGIT OF THE MODEL NUMBER FOR MANUALLY ACTUATED OR "F" FOR HYDRAULICALLY ACTUATED FREE SPOOLING.

When the **PULLMASTER** Model R5 planetary recovery winch is installed into hydraulic circuit with lesser volume and/or pressure the above performance will change. Performance graphs are available upon request.

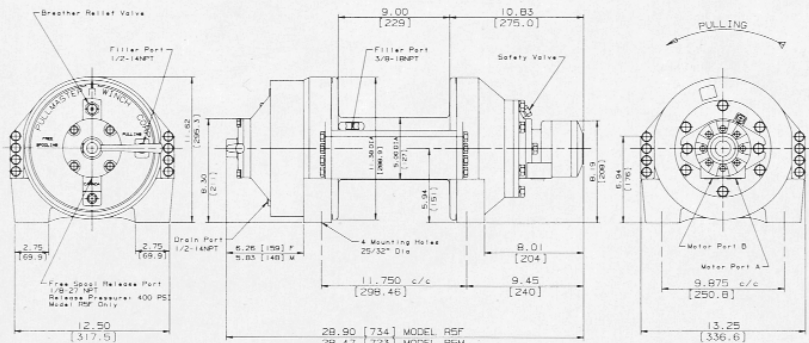
## CABLE STORAGE

### DRUM CABLE STORAGE CAPACITY FOR WIRE ROPE

MODEL NUMBER	DRUM SIZE			WIRE ROPE DIAMETER					
	BARREL	FLANGE	LENGTH	1/4 in	5/16 in	3/8 in	7/16 in	1/2 in	9/16 in
<b>R5-12-70-1M</b>	5 in	11.4 in	9 in	734 ft	482 ft	337 ft	267 ft	208 ft	160 ft
<b>R5-12-70-1F</b>	127 mm	290 mm	229 mm	224 m	147 m	103 m	81 m	63 m	49 m

The cable anchor of the **PULLMASTER** Model R5 is not designed to hold the rated maximum load. The cable drum requires 3 - 4 wraps of wire rope for security.

## DIMENSIONS



**PULLMASTER** planetary winches are covered by a liberal warranty. Parts and repair service are available from authorized **PULLMASTER** distributors throughout Canada, the United States and most overseas areas.

**IMPORTANT:**  
**PULLMASTER** planetary winches are neither designed nor intended for installation on equipment used in lifting or moving of personnel.

## DISTRIBUTOR

Other **PULLMASTER** winch models are available in capacities ranging from 1000 to 50000 lb (4.4 kN to 222.4 kN) line pull.

For more information write to:

### PULLMASTER WINCH CORPORATION

ISO 9001 Registered Firm # 96-381

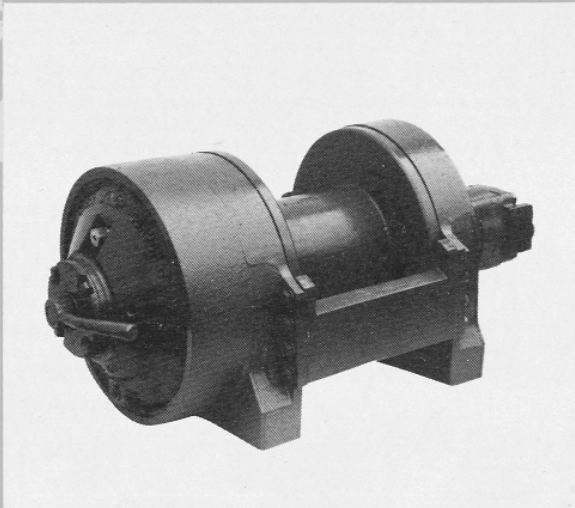
8247 - 130th STREET, SURREY, B.C. CANADA V3W 7X4

TELEPHONE: (604) 594-4444 • FAX: (604) 591-7332

http://www.pullmaster.com • E-mail: info@pullmaster.com

# R7

PLANETARY, RECOVERY WINCH



POWER OUT

**PLUS FREE SPOOLING**

POWER IN

POWER UP

POWER DOWN



**MASTER** 

**THE LOGICAL ALTERNATIVE**

# MODEL R7 PLANETARY, RECOVERY WINCH

## DESCRIPTION

The **PULLMASTER** Model R7 is a high performance, high efficiency planetary recovery winch, with power in both directions of rotation, and with a "free spool" feature which can be controlled either manually or hydraulically.

The **PULLMASTER** Model R7 is a recovery winch, primarily used in mobile pulling operations. The unit features an automatic disc brake which is spring applied and pressure released and has static and dynamic brake function. A counter-balance valve or hydraulic brake valve is not required for dynamic braking.

The overall reduction ratio of 129:1 between the hydraulic motor and the cable drum, is established by 3 planetary reduction stages.

When the **PULLMASTER** Model R7 is used in an operation where dynamic braking is required, friction created in the disc brake assembly results in temperature. This temperature is dissipated by an "Intravent" system which drains the circulation flow, supplied from the reversing port of the hydraulic motor, internally without a need for a vent line.

"Free spooling" can be supplied either with a manually actuated "free spool" clutch or with a remote controlled hydraulic clutch actuator. After the "free spool" clutch has been dis-engaged, the wire rope can be pulled off the cable drum by hand. When the "free spool" clutch is re-engaged the unit is powered in both directions of rotation.

**IMPORTANT:** The "free spool" clutch can only be dis-engaged or re-engaged when there is no load on the wire rope and when the cable drum is stationary.

**MODEL NUMBER IDENTIFICATION:** Model R7-15-135-1M Manual "Free Spool" Control  
Model R7-15-135-1F Hydraulic "Free Spool" Control

## PERFORMANCE

- Based on a hydraulic volume of 18 (U.S.) gpm (68 l/min) at 2100 PSI (145 bar)
- Drum speed at maximum hydraulic flow = 15.5 RPM
- Drum torque at maximum hydraulic pressure = 54000 lb.in. (6101 Nm)

MODEL NUMBER	BARE DRUM		MEAN DRUM		FULL DRUM	
	LINE PULL	LINE SPEED	LINE PULL	LINE SPEED	LINE PULL	LINE SPEED
R7-15-135-1M or F*	15429 lb	28 fpm	11784 lb	37 fpm	9532 lb	46 fpm
	68.6 kN	9 m/min	52.4 kN	11 m/min	42.4 kN	14 m/min

\*Free Spooling is identified by "M" behind the last digit of the model number for Manually Actuated or "F" for Hydraulically Actuated Free Spooling. When the **PULLMASTER** Model R7 planetary recovery winch is installed into a hydraulic circuit with lesser oil volume and/or hydraulic pressure the above performance will change. Performance graphs are available upon request.

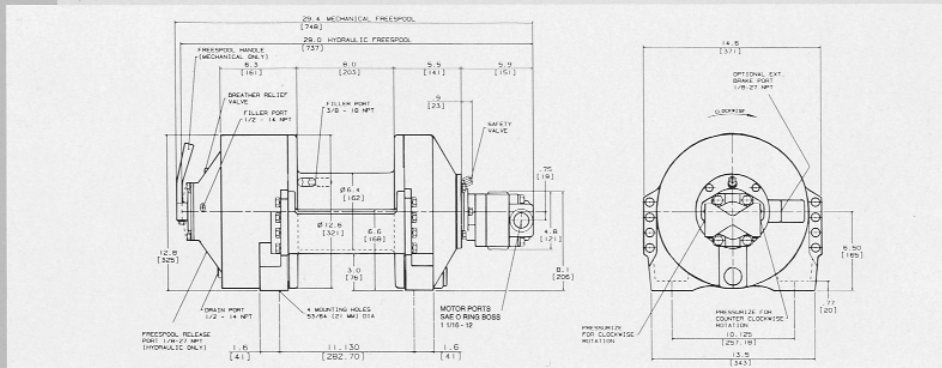
## CABLE STORAGE

### CABLE STORAGE CAPACITY FOR WIRE ROPE

MODEL NUMBER	DRUM SIZE			WIRE ROPE DIAMETERS			
	BARREL	FLANGE	LENGTH	7/16"	1/2"	9/16"	5/8"
R7-15-135-1M or F	6.37"	12.62"	8.00"	278'	217'	167'	124'
	162 mm	321 mm	203 mm	85 m	66 m	51 m	38 m

The cable anchor of the **PULLMASTER** Model R7 is not designed to hold the rated maximum load. The cable drum requires 4-6 wraps of wire rope for safety.

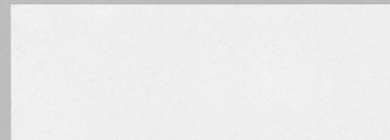
## DIMENSIONS



**PULLMASTER** planetary winches are covered by a liberal warranty. Parts and repair service are available from authorized **PULLMASTER** distributors throughout Canada, the United States and many overseas areas.

**IMPORTANT:** **PULLMASTER** planetary winches are neither designed nor intended for installation on equipment used in lifting or moving of personnel.

## DISTRIBUTOR



Other **PULLMASTER** planetary winches are available for line pull capacities ranging from 1102 Lb (500 Kg) to 50000 Lb (22680 Kg).

For more information contact:

**PULLMASTER WINCH CORPORATION**  
8247 - 130TH STREET, SURREY, B.C., CANADA V3W 7X4  
TELEPHONE: (604) 594-4444 FAX: (604) 591-7332